



WL183 WL184 WL185

Lavaliercondensatormicrofoon

The Shure lavalier condenser microphones, WL183, WL184, and WL185, user guide.
Version: 2.1 (2023-J)

Table of Contents

WL183 WL184 WL185 Lavaliercondensatormicrofoon	3	Changing Cartridges	4
General Description	3	Productgegevens	6
Model Variations	3	Vervangingsonderdelen	7
Installation	3	Certificering	7

WL183 WL184 WL185

Lavaliercondensatormicrofoon

General Description



Models WL183, WL184 and WL185 are lavalier electret condenser microphones for use with a wireless bodypack transmitter. Each microphone has a 1.2 meter (4 ft.) cable terminated with a miniature 4-pin connector (TA4F). The furnished tie clip can be rotated in 90° intervals for placement flexibility.

Model Variations

WL183 (Omnidirectional): General purpose sound reinforcement, recording, or remote monitoring applications. Low handling noise. Pickup angle is 360°. WL184 (Supercardioid): Sound reinforcement applications requiring high rejection of ambient noise and narrow pickup angle. Use of windscreen highly recommended. Pickup angle is 115°. WL185 (Cardioid): General purpose sound reinforcement applications requiring good rejection of ambient noise. Use of windscreen highly recommended. Pickup angle is 130°.

Installation

1. Insert the top of the microphone through tie clip loop from below until tie clip loop snaps into place over the lower groove on the microphone. 2. To install the snap-fit windscreen, press it down on the microphone until it clicks into place inside the upper groove on the microphone. The snap-fit windscreen provides 30 dB of pop protection. 3. Attach the microphone approximately 76 mm to 152 mm (3 to 6 in.) below the neckline.

Note

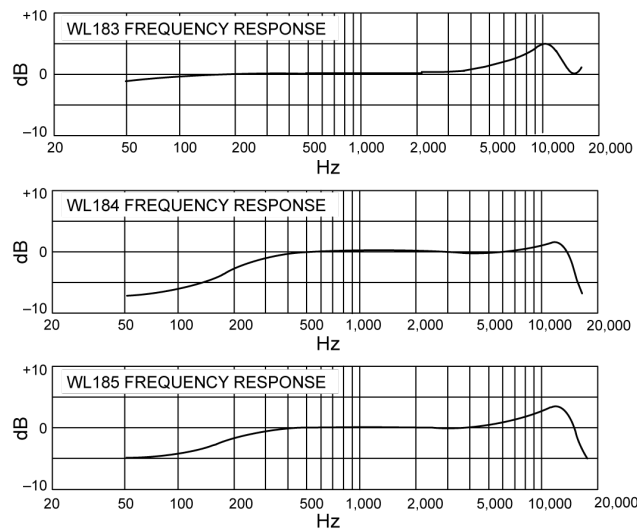
- The snap-fit windscreen can be removed by spreading the slot in the plastic snapfit ring.
- To install the smaller foam windscreen, slip the windscreen over the top of the microphone so that it covers the side slots. The foam windscreen provides 5 to 10 dB of pop protection

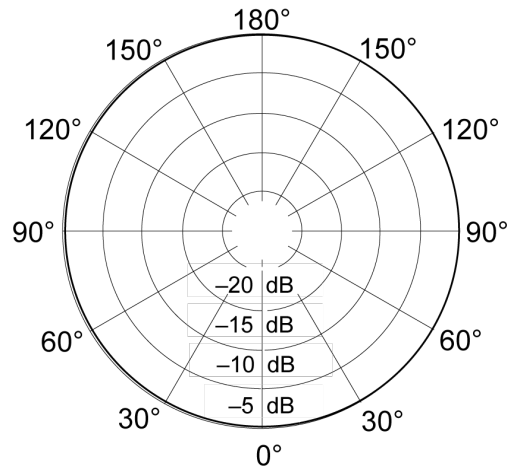
NOTE: Do not cover the microphone with your hand or clothing



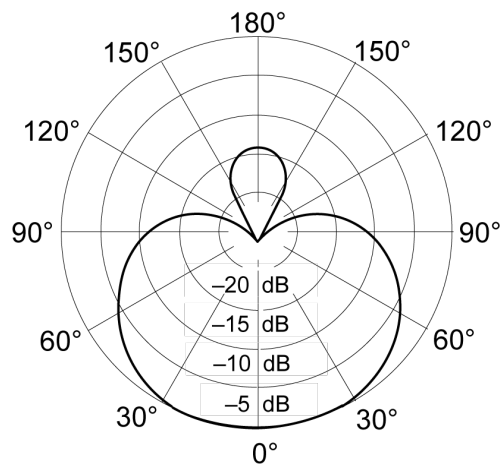
Changing Cartridges

The WL183, WL184, and WL185 microphones use interchangeable cartridges. To change the cartridge, unscrew it from the microphone base and replace it with one of the replacement cartridges listed below.

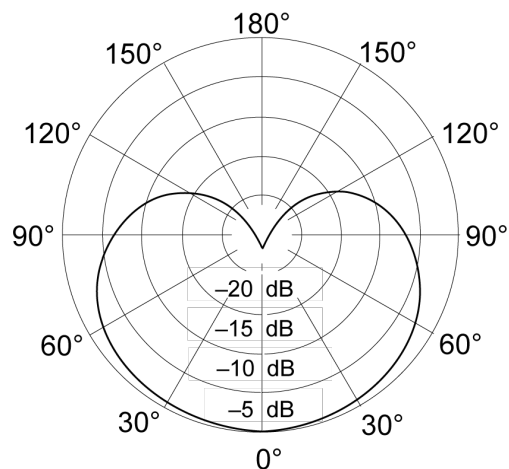




OMNIDIRECTIONAL (WL183)



SUPERCARDIOID (WL184)



CARDIOID (WL185)

Productgegevens

Type

Condenser (electret bias)

Frequency Response

50 to 17,000 Hz

Output Impedance

1800 Ω

Sensitivity[1]

WL183	-40.0 dBV/Pa
WL184	-44.5 dBV/Pa
WL185	-45.5 dBV/Pa

Maximum SPL

WL183	125.0 dB SPL
WL184	129.5 dB SPL
WL185	130.5 dB SPL

Self Noise (A-Weighted):

WL183	22.5 dB SPL
WL184	27.0 dB SPL
WL185	28.0 dB SPL

Dynamic Range

102.5 dB

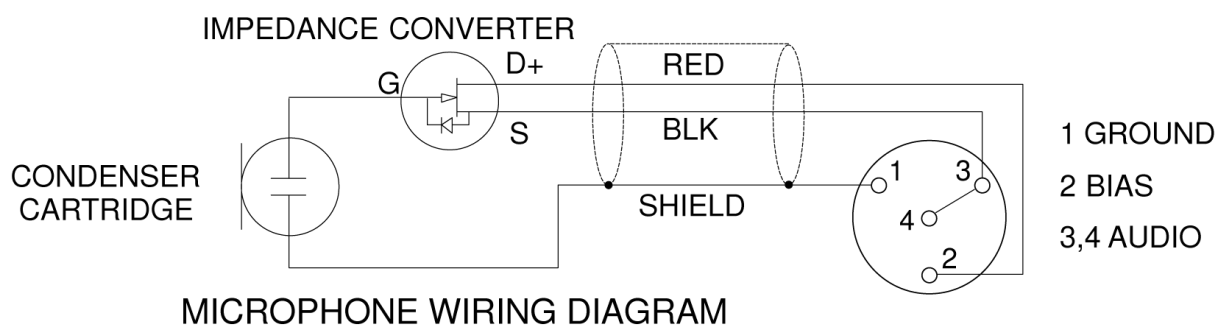
Polarity

Positive pressure on diaphragm produces positive voltage on pin 3 with respect to pin 1

Power Requirements

Regulated nominal +5 Vdc (1.5 Vdc to 10 Vdc) provided at microphone connector pin 2 relative to pin 1 of a Shure wireless microphone transmitter

[1] 1 Pa = 94 dB SPL



MICROPHONE WIRING DIAGRAM

MICROPHONE WIRING DIAGRAM

Vervangingsonderdelen

Black Omnidirectional Cartridge for all MX- (Microflex®) Models and WL183	R183B
Black Supercardioid Cartridge for all MX- (Microflex®) and WL183, WL184 and WL185 Models	R184B
Black Cardioid Cartridge for WL185 and all MX- (Microflex®) Models	R185B
Black Snap-Fit Foam Windscreens (4) for SM35, BETA98, BETA98A, BETA98/S, BETA98D/S, BETA98H/C, MX183, MX184, MX185, MX202, WH30, WL183, WL184 and WL185	RK183WS
Black Small Foam Windscreens (4) for MX183, MX184, MX185, SM84, WL84A, WL183, WL184 and WL185	RK261BWS
Single Mount Tie-Clips (2) for MX183, MX184 and MX185, WL183, WL184 and WL185	RK183T1
4-Pin Mini Connector (TA4F/TQG)	WA330

Certificering

Dit product voldoet aan de essentiële vereisten van alle toepasselijke Europese richtlijnen en komt in aanmerking voor CE-markering.

De CE-conformiteitsverklaring kan worden verkregen via: www.shure.com/europe/compliance

Erkende Europese vertegenwoordiger:

Shure Europe GmbH

Hoofdkantoren in Europa, Midden-Oosten en Afrika

Afdeling: EMEA-goedkeuring

Jakob-Dieffenbacher-Str. 12

75031 Eppingen, Duitsland

Telefoon: +49-7262-92 49 0

Fax: +49-7262-92 49 11 4

E-mail: info@shure.de